

# HSF

NOTES:  
 Current Rating:3.0A AMP  
 Contact Resistance:25milliohm Max  
 Withstand Voltage:500V AC/Minute  
 Insulation Resistance:1000Megohm Min  
 Operation Temperature:-55°C to +105°C  
 Housing Material:PBt+30%GF(UL94V-0)  
 Contact Material:Copper alloy  
 Contact plating:Au/Sn over Ni Plating  
 Shell:Cold Roller Steel,Ni or Sn Plated  
 Revit/Harpoon:Brass,Tin Over Ni Plated  
 Screw:Brass,Ni Plated

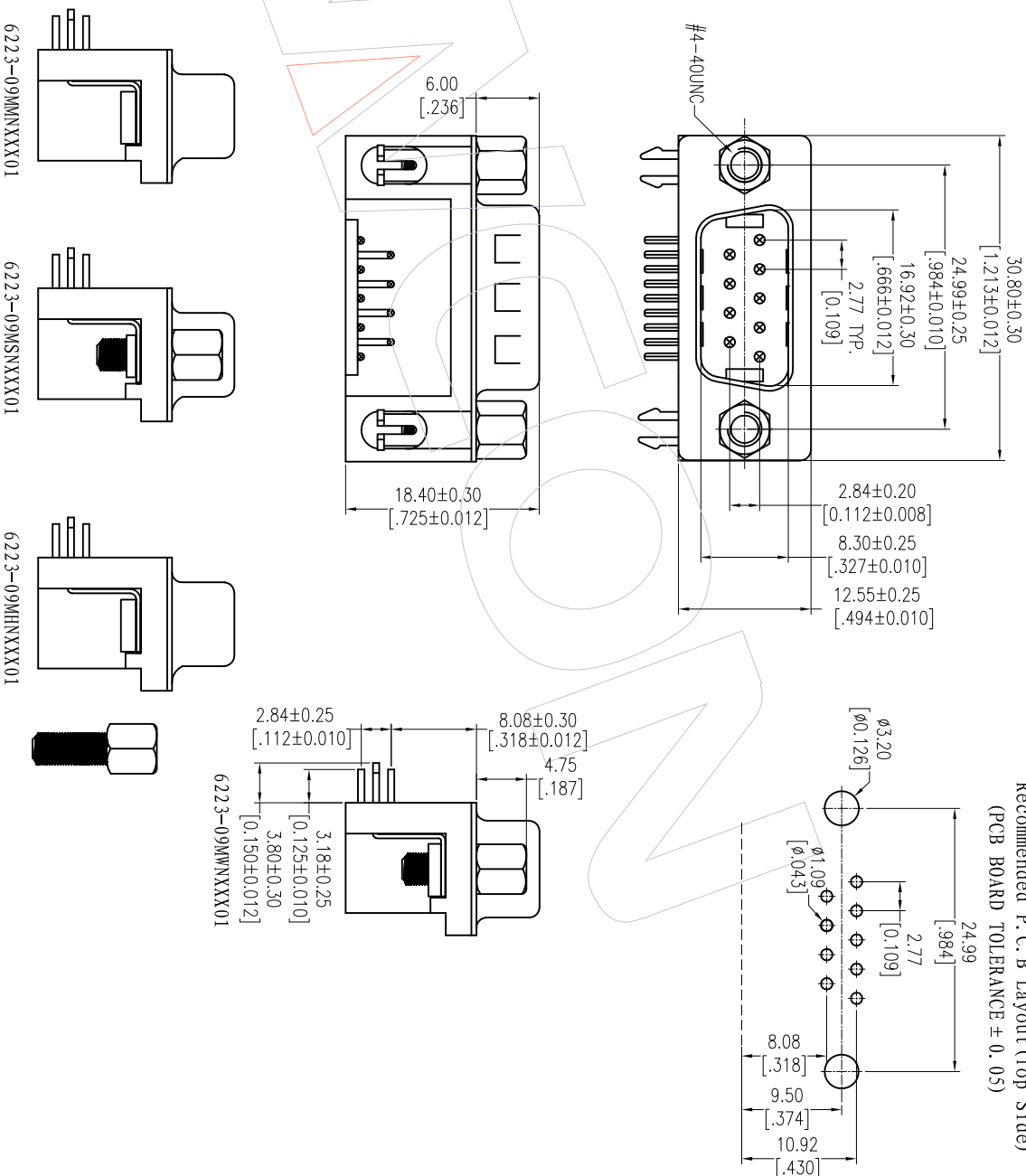
## Ordering Information

6223-09 M X N XX B 01

No of Pins: 9P  
 Product Type: 9P  
 W=With Revit With Screw  
 M=With Revit Without Screw  
 S=No Revit Lock With Screw  
 H=With Revit With Screw(Dont lock)

Contact Plating:  
 G0=Gold Flash  
 G1=3u"Gold  
 G2=5u"Gold  
 G3=10u"Gold  
 G4=15u"Gold  
 G5=30u"Gold  
 S0=Gold Flash/Tin  
 S1=3u"Gold/Tin  
 S2=5u"Gold/Tin  
 S3=10u"Gold/Tin  
 S4=15u"Gold/Tin  
 S5=30u"Gold/Tin  
 SN=Tim

Insulator Color: B=Black



Recommended P.C.B Layout (Top Side)  
 (PCB BOARD TOLERANCE ± 0.05)

REV	DATE	MODIFICATION DESCRIPTION	CHANGE	OPERATION	DRAW	DATE	SCALE	FIT	PART NO.	TITLE:	WCON-Dongguan	WCON-Kunshan
A0	2014/02/28	NEW		XX ±0.40	Allen	2014/02/28	mm	A4	6223-09MXXNXXB01	D-SUB MALE CONNECTOR 9P	Http: www.wcon.com	
				XXX ±0.25	CHECK		inch			8.08 FOOTPRINT RIGHT ANGLE TYPE	Tel: +86 769 85358920	Tel: +86 512 57468408
				X.XXX ±0.15	APPROVE		1/1			Customer NO.	Fax: +86 769 85358915	Fax: +86 512 57468468
				Angle ± 3°	PROJ.						E-mail: sdes@wcon.com	E-mail: sdes@wcon.com
				DIM TOL								

# WCON

WCON-Dongguan  
 Tel: +86 769 85358920  
 Fax: +86 769 85358915  
 E-mail: sdes@wcon.com

WCON-Kunshan  
 Tel: +86 512 57468408  
 Fax: +86 512 57468468  
 E-mail: sdes@wcon.com