

HSF

NOTES:

Current Rating: 1.0AMP
 Contact Resistance: 30mΩ max
 Withstand Voltage: 500V AC/DC
 Insulation Resistance: 1000MΩ min
 Operation Temperature: -40°C to +105°C

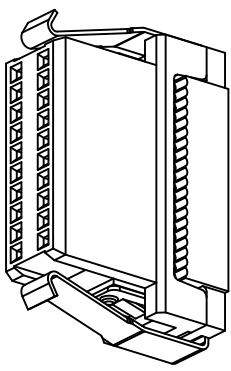
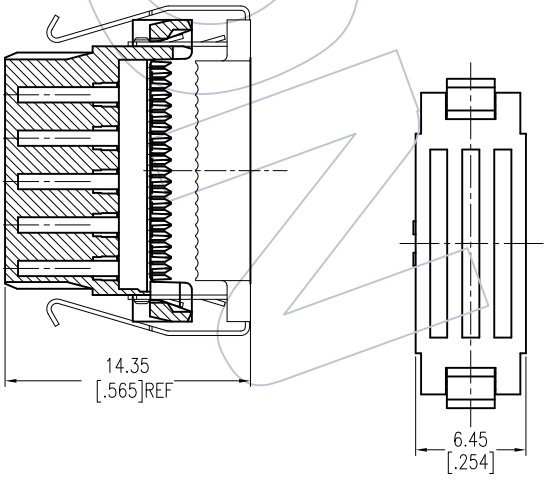
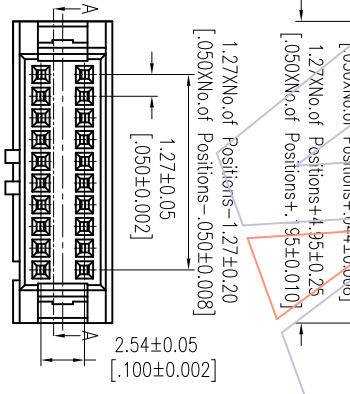
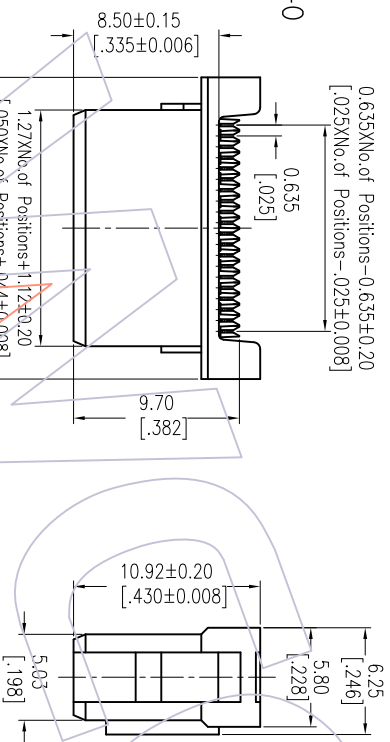
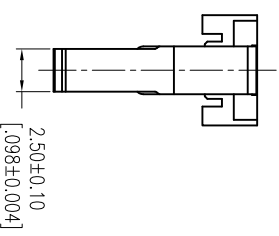
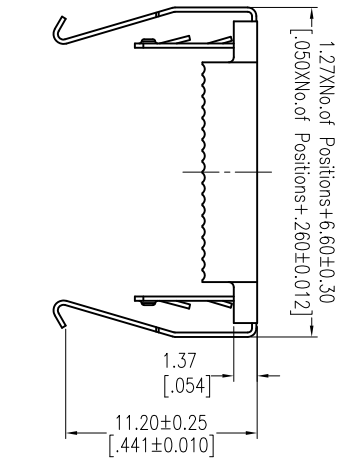
Contact Material: Phosphor Bronze
 Contact plating: Au Or Sn over Ni
 Insulator Material: Body: LCP+30%G.F UL94V-0
 Cover: PBT+30%G.F UL94V-0

Ordering Information

5243-XX Y P XX B X 01

No. of Pins Contact Plating Insulator Shape
 S0=Gold Flash/Tin W: With Bump
 S3=10u"Gold/Tin N: Without Bump
 S4=15u"Gold/Tin
 S5=30u"Gold/Tin
 SN=Tin

Item	Pitch	Mating
Standard	1.27X2.54	3144
Alternate		



REV	DATE	MODIFICATION DESCRIPTION
A1	2013/08/12	Modify the Plated Gold/Ni to Gold/Tin
A0	2012/10/10	NEW

OPERATION	DRAW	DATE
X.X	T.singsn	2013/08/12
X.XX	CHECK	DATE
X.XXX	± 0.15	DATE
Angle	APPROVE	DATE
DIM	TOL	

PART NO.	SCALE	FIT
5243-XXYPXXBX01	UNIT	mm
TITLE:	SIZE	A4
1.27*2.54mm IDC WITH LATCH	SHEET	1/1
Customer NO.	PROJ.	

WCON

Http: www.wcon.com

WCON-Dongguan
 Tel: +86 769 85358920
 Fax: +86 769 85358915
 E-mail: sales@wcon.com

WCON-Kunshan
 Tel: +86 512 57468408
 Fax: +86 512 57468468
 E-mail: sales@wcon.com