



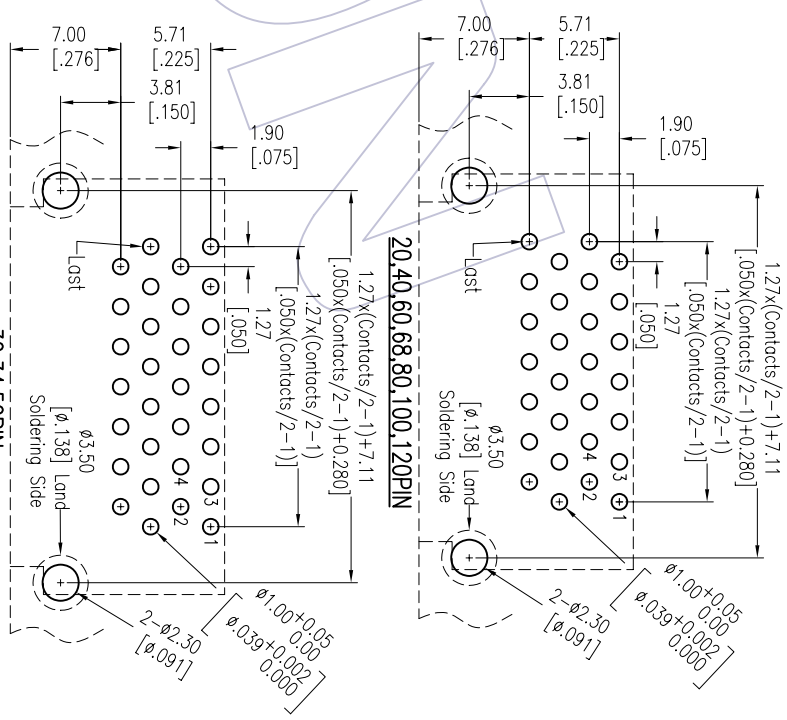
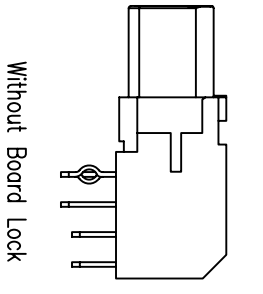
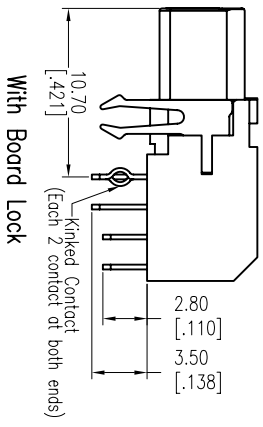
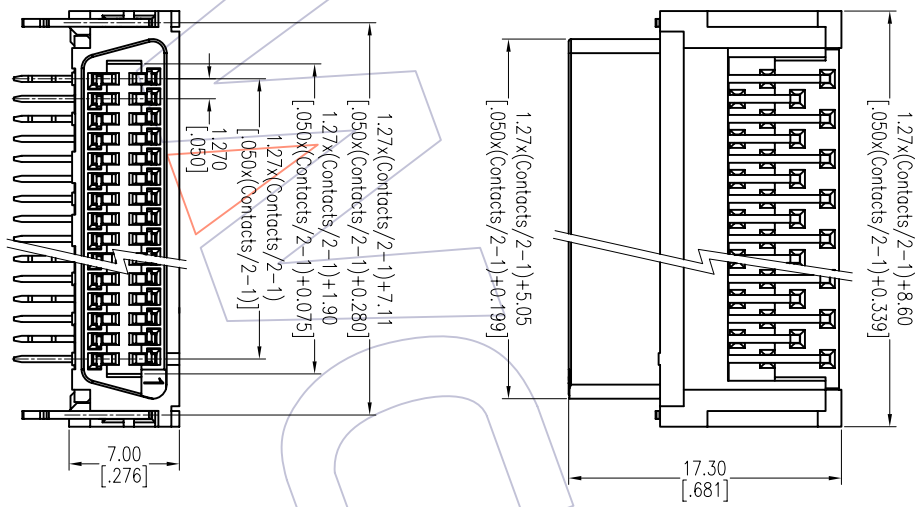
NOTES:

- Current Rating: 0.5A/Contact
- Voltage Rating: 250V AC
- Contact Resistance: 35milliohm Max
- Withstand Voltage: 500V AC/DC
- Insulation Resistance: 500Megaohm Min
- Operation Temperature: -20°C to +105°C
- Housing Material: PBT+30%G.F UL94V-0 BK
- Cover Material: PBT+30%G.F UL94V-0 BK
- Terminal Material: Copper alloy
- Board Lock Material: Copper alloy
- Terminal plating: Sn-Au over Ni
- Board Lock plating: Sn over Ni

Ordering Information

6321D-XXX RD XX P X X 01

No. of Pins Contact Plating Type Packing
 S1=5u"Gold/Tin W:With Board Lock T=Tube
 S2=5u"Gold/Tin N:Without Board Lock



Recommended P.C.B Layout (Top Side)
 (PCB BOARD TOLERANCE±0.05)

REV	DATE	MODIFICATION DESCRIPTION	CHANGE	OPERATION	DRAW	DATE	SCALE	PART NO.	TITLE:	WCON-Dongguan	WCON-Kunshan
A0	2012/03/27	NEW	---	XX	<i>William Diao</i>	2012.03.27	Ft	6321D-XXXXRDXPPXX01	1.27mm SCSI D-Type Female 90° DIP	Tel: +86 769 85358920	Tel: +86 512 57468408
REV	DATE	MODIFICATION DESCRIPTION	CHANGE	XX			mm			Fax: +86 769 85358915	Fax: +86 512 57468468
				X.XXX	CHECK	DATE	A4			E-mail: sales@wcon.com	E-mail: sales@wcon.com
				X.XXX	±0.15	DATE	1/1				
				Angle	± 3°	DATE	PROJ.				
				DIM	TOL	DATE					
					APPROVE	DATE					



Http: www.wcon.com